

ARGUS MODEL F, P & C PIG VALVE - BULLET PIGS

The information on this document is strictly confidential and may not be reproduced in any way without prior written permission of Argus
 PRINTED COPIES ARE UNCONTROLLED

1.0 PURPOSE

To identify the maximum length of a pig that can be launched and received from an Argus Pig Valve.

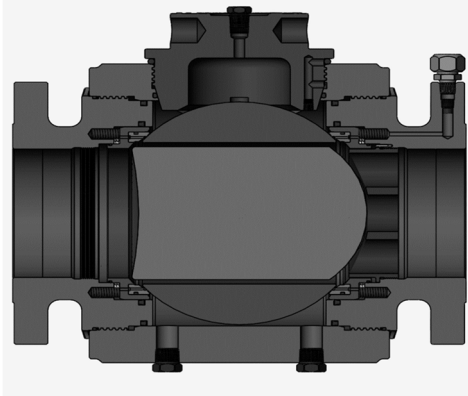
2.0 BULLET STYLE PIGS AND CUP & DISK STYLE PIGS


Figure 1.0: Foam Pig with Pig Valve

Table 1.0: Bullet Style Pigs (Foam)

Valve Size	Maximum Pig Length
2" (Model F)	4 1/16"
3" (Model F & P)	5 1/16"
4" (Model F, P & C)	6 11/16"
6" (Model P)	9 1/8"
8" (Model P)	13 3/16"

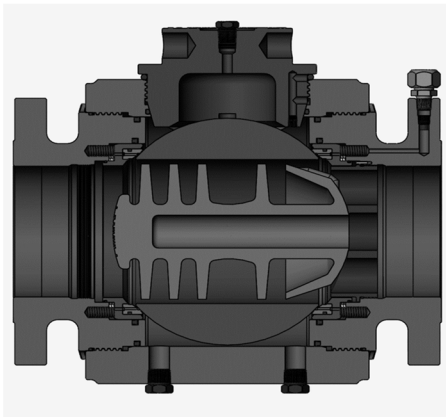


Figure 2.0: Cup & Disk Pig with Pig Valve

Table 2.0: Cup & Disk Style Pigs (Poly / Cast)

Valve Size	Argus Pig Length
2" (Model F)	4 1/2"
3" (Model F & P)	5 3/4"
4" (Model F, P & C)	7 1/2"
6" (Model P)	10 7/16"
8" (Model P)	14 3/4"

Notes:

Argus pigs are designed with a spherical knob on the tail end to allow protrusion past the flat surface of the ball. Pigs without this feature must not protrude as it may cause damage to seats when operating valve.

Specifications are Subject to Change Without Prior Notice – All Dimensions: inch [mm]

		Created By:	Scott L.
		Created Date:	02 Apr 2014
		Approved By:	
		Approved Date:	
		ECN No.:	02690
		Page:	1 of 1