



**Argus Machine Co. Ltd**

5820 97 Street  
Edmonton, AB  
T6E 3J1

www.argusmachine.com

Ph: (780) 434-9451  
Fax: (780) 438-1502 (Manufacturing Plant)  
Fax: (780) 434-9909 (Assembly Division)

**Document No.:** TB-BV-002

**Rev No.:** 1

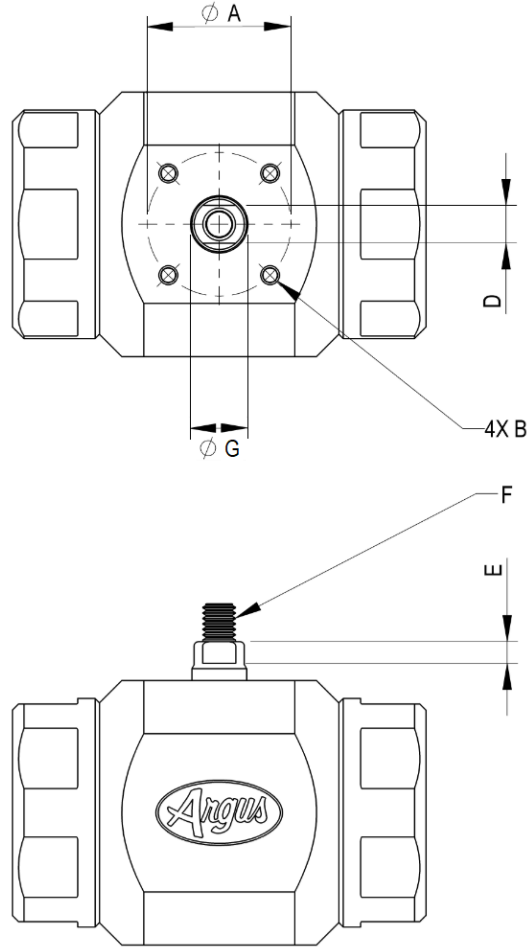
**ECN:** 02429

**Eff. Date:** 25-Sep-2019

**Completed By:** A.J.N.

**Approved By:** A.J.B.

**ARGUS SMALL DIAMETER BALL VALVE – VALVE MOUNTING PATTERN**



Valve Size in. (mm)	Dimension							Flange Type
	A	B <sup>(2)</sup>	D	E	F <sup>(3)</sup>	G		
1/2" (13)	1.42 (36)	M5	0.35 (9)	0.22 (6)	1/4"-20	0.47 (12)	F03	
3/4" (19)	1.65 (42)	M5	0.43 (11)	0.22 (6)	5/16"-18	0.53 (13)	F04	
1" (25)	1.65 (42)	M5	0.43 (11)	0.22 (6)	3/8"-16	0.59 (15)	F04	

Notes:

1. Dimensions sized to match ISO 5211:2001 flange types where possible
2. Dimension B is only available in Metric threads
3. Dimension F is only available in UN thread form